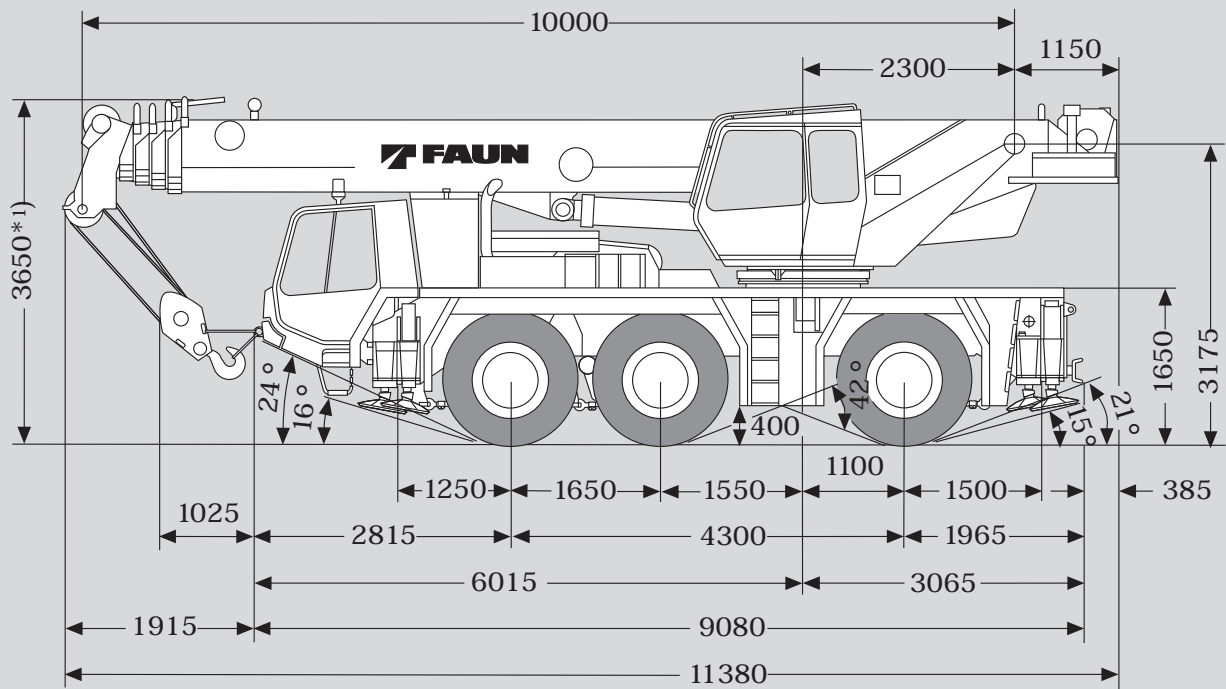
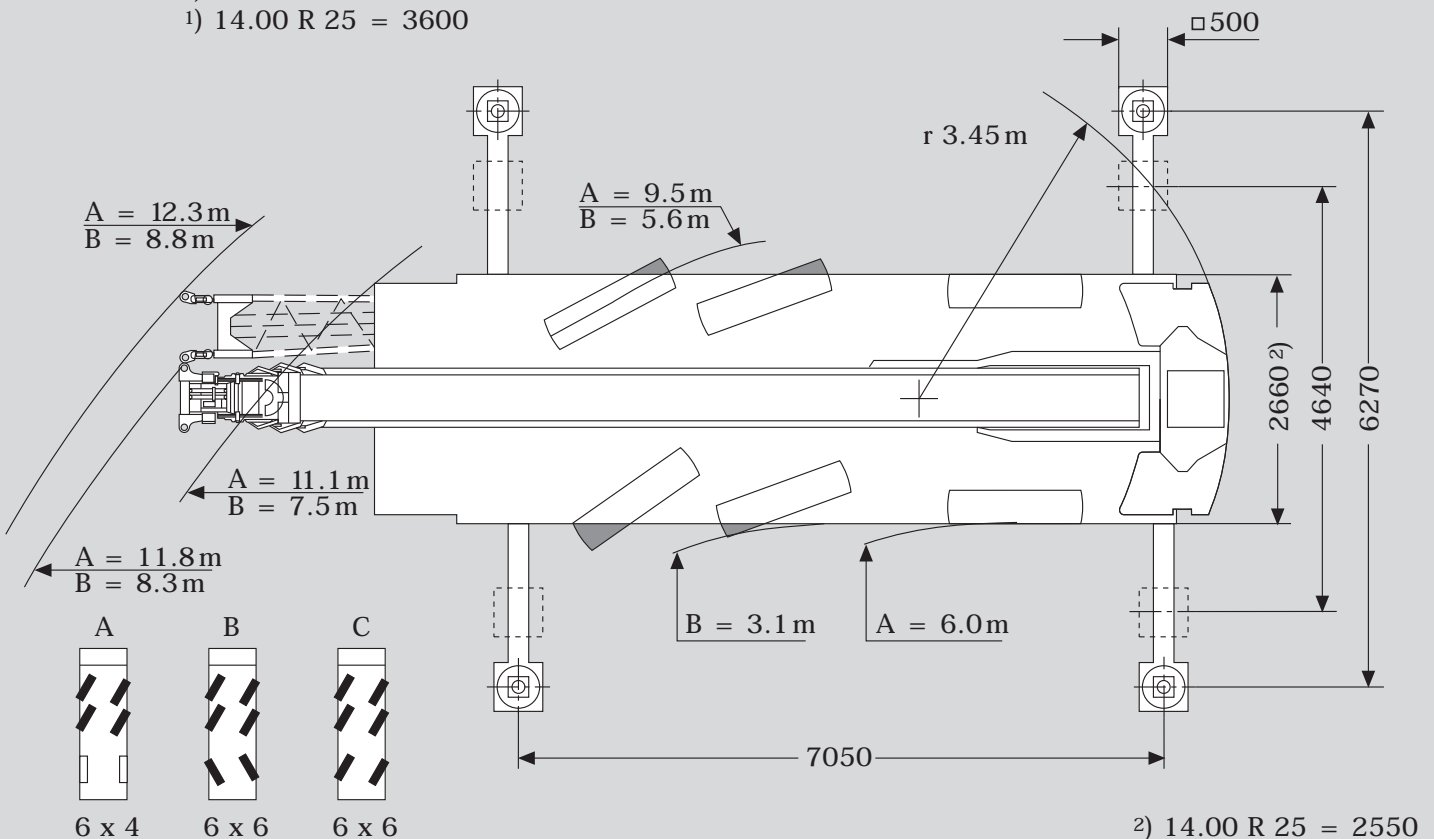


Maße / Dimensions / Dimensions / Dimensiones (mm)
 Gewichte / Weights / Poids / Pesos
 Geschwindigkeiten / Speeds / Vitesse / Velocidades

16.00 R 25



*) +/- 100 mm
 1) 14.00 R 25 = 3600



2) 14.00 R 25 = 2550

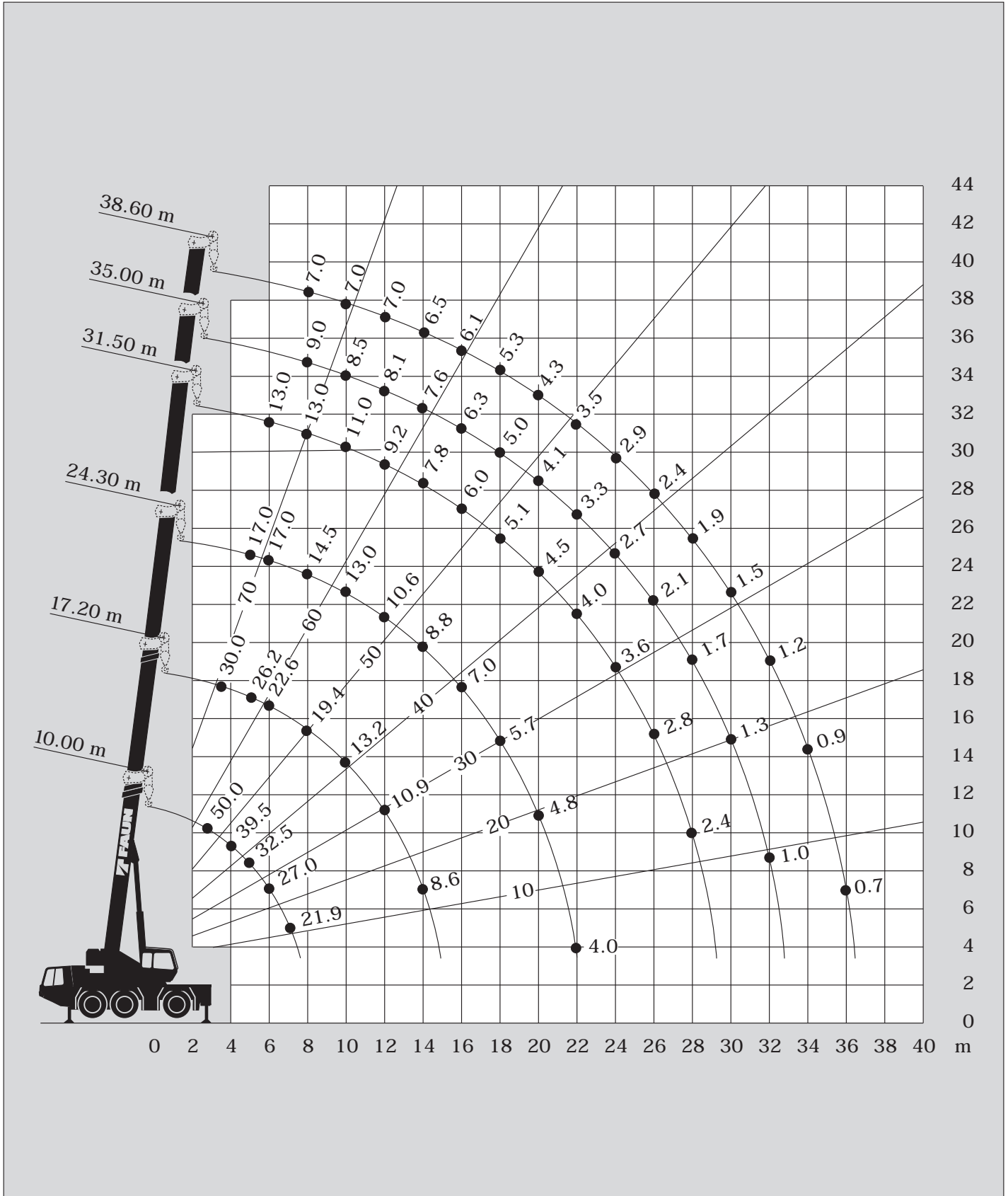
Tragfähigkeiten am Teleskopausleger
 Lifting capacities on telescopic boom
 Capacités de levage à la flèche télescopique
 Capacidades de elevación con la pluma telescópica



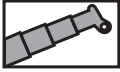
→ m	10.0 m	17.2 m	17.2 m	17.2 m	24.3 m	24.3 m	24.3 m	31.5 m	31.5 m	35.0 m	38.6 m
2.7	50.0										
3.0	47.1										
3.5	43.8	20.0	30.0	13.0							
4.0	39.5	20.0	29.0	13.0							
4.5	35.5	20.0	27.5	13.0							
5.0	32.5	20.0	26.2	13.0	13.0	17.0	11.8				
6.0	27.0	20.0	22.6	13.0	13.0	17.0	11.8	13.0	9.5		
7.0	21.9	20.0	19.8	13.0	13.0	15.8	11.8	13.0	9.2		
8.0		19.4	17.5	13.0	13.0	14.5	11.8	13.0	8.8	9.0	7.0
9.0		15.7	15.1	13.0	13.0	13.3	11.4	12.0	8.5	8.8	7.0
10.		13.2	12.6	13.0	13.0	12.0	11.0	11.0	8.1	8.5	7.0
0		11.2	10.6	12.5	12.2	10.9	10.5	10.1	7.7	8.3	7.0
11.		9.6	9.1	10.9	10.6	9.4	10.1	9.2	7.4	8.1	7.0
0		7.4	6.9	8.6	8.2	7.1	8.8	7.8	6.7	7.6	6.5
12.					6.4	5.3	7.0	6.0	5.8	6.3	6.1
0					5.1	4.1	5.7	4.8	5.1	5.0	5.3
14.					4.2	3.2	4.8	3.8	4.5	4.1	4.3
0					3.5	2.5	4.0	3.1	4.0	3.3	3.5
16.								2.5	3.6	2.7	2.9
0								1.9	2.8	2.1	2.4
18.								1.5	2.4	1.7	1.9
0										1.3	1.5
20.										1.0	1.2
0											0.9
22.											0.7
0											
I	0	50	100	0	50	100	0	100	0	100	100
II	0	50	0	33	50	100	66	100	100	100	100
III	0	0	0	33	50	0	66	50	100	75	100
IV	0	0	0	33	50	0	66	50	100	75	100



→ m	10.0 m	17.2 m	17.2 m	17.2 m	24.3 m	24.3 m	24.3 m	31.5 m	31.5 m	35.0 m	38.6 m
2.7	55.0										
3.0	50.4										
3.5	46.7	22.0	32.0	14.0							
4.0	42.3	22.0	31.2	14.0							
4.5	38.0	22.0	29.6	14.0							
5.0	34.8	22.0	28.2	14.0	14.0	18.5	13.0				
6.0	29.0	22.0	24.4	14.0	14.0	18.5	13.0	14.0	10.5		
7.0	23.6	22.0	21.4	14.0	14.0	17.2	13.0	14.0	10.0		
8.0		21.0	19.0	14.0	14.0	15.8	13.0	14.0	9.6	10.0	7.7
9.0		17.0	16.4	14.0	14.0	14.5	12.4	13.1	9.3	9.7	7.7
10.		14.4	13.7	14.0	14.0	13.1	11.9	12.0	8.9	9.3	7.7
0		12.2	11.6	13.5	13.3	12.0	11.4	11.1	8.4	9.1	7.7
11.		10.5	10.1	11.9	11.6	10.4	11.0	10.1	8.1	8.9	7.7
0		8.2	7.7	9.4	9.0	7.9	9.6	8.6	7.4	8.4	7.2
12.					7.1	6.0	7.7	6.7	6.4	7.0	6.8
0					5.7	4.7	6.3	5.4	5.7	5.6	5.9
14.					4.8	3.7	5.4	4.3	5.0	4.7	4.9
0					4.0	2.9	4.5	3.5	4.5	3.8	4.0
16.								2.9	4.1	3.1	3.3
0								2.2	3.2	2.5	2.8
18.								1.7	2.7	1.9	2.2
0										1.5	1.8
20.										1.2	1.4
0											1.1
22.											0.8
0											
I	0	50	100	0	50	100	0	100	0	100	100
II	0	50	0	33	50	100	66	100	100	100	100
III	0	0	0	33	50	0	66	50	100	75	100
IV	0	0	0	33	50	0	66	50	100	75	100



Tragfähigkeiten am Teleskopausleger
 Lifting capacities on telescopic boom
 Capacités de levage à la flèche télescopique
 Capacidades de elevación con la pluma telescópica

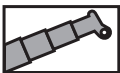


5.6t



→ m	10.0 m	17.2 m	17.2 m	17.2 m	24.3 m	24.3 m	24.3 m	31.5 m	31.5 m	35.0 m	38.6 m
2.7	50.0										
3.0	45.0										
3.5	40.5	20.0	30.0	13.0							
4.0	37.0	20.0	29.0	13.0							
4.5	34.5	20.0	27.5	13.0							
5.0	31.8	20.0	26.2	13.0	13.0	17.0	11.8				
6.0	26.4	20.0	22.6	13.0	13.0	17.0	11.8	13.0	9.5		
7.0	21.0	20.0	19.4	13.0	13.0	15.8	11.8	13.0	9.2		
8.0		15.7	15.0	13.0	13.0	14.5	11.8	13.0	8.8	9.0	7.0
9.0		12.7	12.1	13.0	13.0	12.5	11.4	12.0	8.5	8.8	7.0
10.		10.6	10.0	12.0	11.6	10.3	11.0	11.0	8.1	8.5	7.0
0		8.8	8.2	10.2	9.9	8.6	10.5	9.5	7.7	8.3	7.0
11.		7.4	6.8	8.8	8.4	7.2	9.2	8.0	7.4	8.1	7.0
0		5.4	4.9	6.7	6.3	5.2	7.0	6.0	6.7	6.0	6.5
12.					4.9	3.8	5.5	4.4	5.6	4.6	4.8
0					3.7	2.7	4.3	3.4	4.5	3.6	3.8
14.					2.9	1.9	3.5	2.6	3.6	2.8	3.0
0					2.3	1.3	2.9	2.0	3.0	2.2	2.4
16.								1.4	2.5	1.7	1.9
0								1.0	2.0	1.2	1.4
18.								0.7	1.6	0.8	1.0
0										0.5	0.7
20.											
0											
22.											
0											

	I	0	50	100	0	50	100	0	100	0	100	100
	II	0	50	0	33	50	100	66	100	100	100	100
	III	0	0	0	33	50	0	66	50	100	75	100
	IV	0	0	0	33	50	0	66	50	100	75	100



5.6t



→ m	10.0 m	17.2 m	17.2 m	17.2 m	24.3 m	24.3 m	24.3 m	31.5 m	31.5 m	35.0 m	38.6 m
2.7	55.0										
3.0	48.1										
3.5	43.4	22.0	32.0	14.0							
4.0	39.6	22.0	31.2	14.0							
4.5	37.0	22.0	29.6	14.0							
5.0	34.1	22.0	28.2	14.0	14.0	18.5	13.0				
6.0	28.4	22.0	24.4	14.0	14.0	18.5	13.0	14.0	10.5		
7.0	22.6	22.0	21.0	14.0	14.0	17.2	13.0	14.0	10.0		
8.0		17.0	16.3	14.0	14.0	15.8	13.0	14.0	9.6	10.0	7.7
9.0		13.9	13.3	14.0	14.0	13.7	12.4	13.1	9.3	9.7	7.7
10.		11.6	11.0	13.0	12.6	11.3	11.9	12.0	8.9	9.3	7.7
0		9.7	9.1	11.1	10.8	9.5	11.4	10.4	8.4	9.1	7.7
11.		8.2	7.6	9.6	9.2	8.0	10.0	8.9	8.1	8.9	7.7
0		6.1	5.6	7.4	7.0	5.9	7.7	6.7	7.4	6.7	7.2
12.					5.5	4.4	6.1	5.0	6.2	5.2	5.4
0					4.2	3.1	4.8	3.9	5.0	4.1	4.3
14.					3.3	2.2	4.0	3.0	4.1	3.2	3.5
0					2.6	1.5	3.3	2.3	3.4	2.5	2.8
16.								1.6	2.9	2.0	2.2
0								1.2	2.3	1.4	1.6
18.								0.8	1.9	1.0	1.2
0										0.6	0.8
20.											0.5
0											
22.											
0											

	I	0	50	100	0	50	100	0	100	0	100	100
	II	0	50	0	33	50	100	66	100	100	100	100
	III	0	0	0	33	50	0	66	50	100	75	100
	IV	0	0	0	33	50	0	66	50	100	75	100

