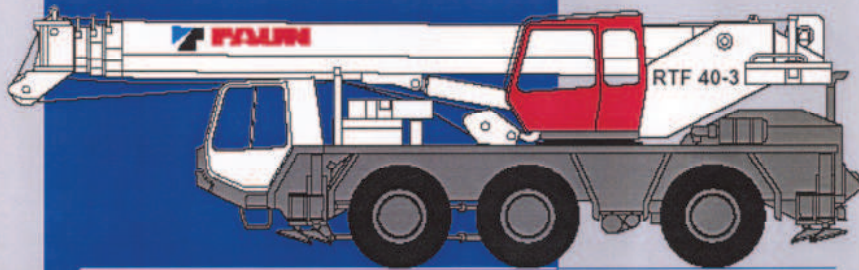


TADANO FAUN

KLASSE 40T

ALL-TERRAIN
RTF 40-3

ISO 9001



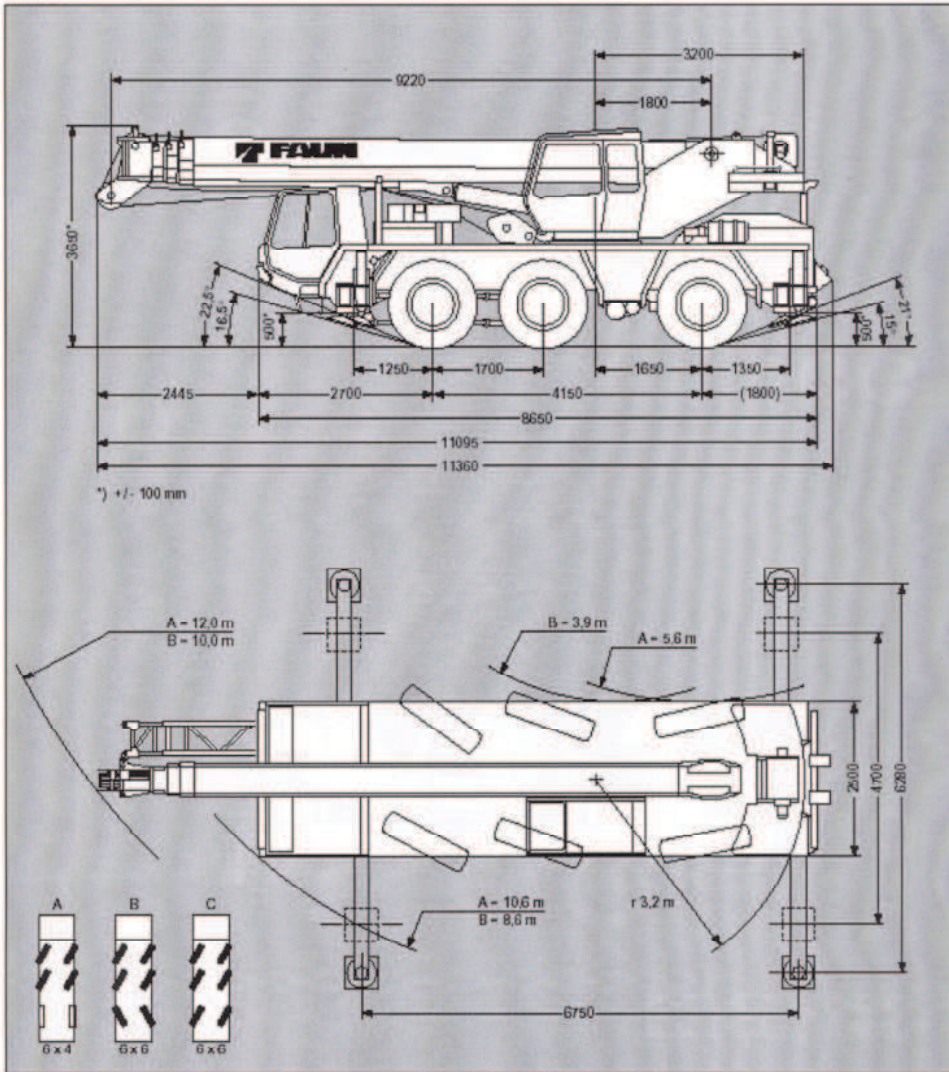
TADANO FAUN

RTF 40-3

Maße / Dimensions / Dimensions / Dimensiones (mm)
Gewichte / Weights / Poids / Pesos
Geschwindigkeiten / Speeds / Vitesses / Velocidades

KLASSE 40T

16.00 R 25



Tragfähigkeiten am Teleskopausleger
 Lifting capacities on telescopic boom
 Capacités de levage sur la flèche télescopique
 Capacidades de elevación con la pluma telescópica



DIN

| ↙ m | 9.22 m | 16.10 m | 16.10 m | 16.10 m | 23.00 m | 23.00 m | 28.50 m | 30.00 m |
|------|--------|---------|---------|---------|---------|---------|---------|---------|
| 2.5 | 40.00* | | | | | | | |
| 3.0 | 35.00 | | | | | | | |
| 3.5 | 31.50 | | | | | | | |
| 4.0 | 28.40 | 22.00 | 15.00 | 15.00 | | | | |
| 4.5 | 25.10 | 22.00 | 15.00 | 15.00 | | | | |
| 5.0 | 22.50 | 22.00 | 15.00 | 15.00 | 15.00 | 10.00 | 11.00 | |
| 6.0 | 18.50 | 18.10 | 15.00 | 14.60 | 15.00 | 10.00 | 11.00 | 10.00 |
| 7.0 | 15.60 | 15.30 | 15.00 | 12.90 | 14.00 | 9.60 | 11.00 | 10.00 |
| 8.0 | | 13.10 | 12.60 | 11.60 | 12.60 | 8.60 | 10.50 | 9.70 |
| 9.0 | | 11.40 | 10.90 | 10.50 | 10.90 | 7.70 | 10.00 | 9.30 |
| 10.0 | | 10.00 | 9.60 | 9.60 | 9.80 | 7.00 | 9.10 | 8.70 |
| 11.0 | | 8.90 | 8.50 | 8.80 | 8.70 | 6.40 | 8.30 | 8.00 |
| 12.0 | | 8.00 | 7.50 | 8.20 | 7.70 | 5.90 | 7.60 | 7.40 |
| 14.0 | | 6.10 | 5.50 | 6.50 | 5.80 | 5.10 | 6.30 | 6.30 |
| 16.0 | | | | | 4.50 | 4.50 | 4.90 | 5.00 |
| 18.0 | | | | | 3.50 | 3.90 | 3.90 | 4.00 |
| 20.0 | | | | | 2.80 | 3.50 | 3.20 | 3.30 |
| 22.0 | | | | | | | 2.60 | 2.70 |
| 24.0 | | | | | | | 2.10 | 2.20 |
| 26.0 | | | | | | | 1.70 | 1.80 |
| 27.0 | | | | | | | | 1.60 |
| ↙ % | I 0 | 50 | 100 | 0 | 100 | 0 | 100 | 100 |
| | II 0 | 50 | 0 | 100 | 100 | 100 | 100 | 100 |
| | III 0 | 0 | 0 | 0 | 0 | 100 | 80 | 100 |



85%

| ↙ m | 9.22 m | 16.10 m | 16.10 m | 16.10 m | 23.00 m | 23.00 m | 28.50 m | 30.00 m |
|------|--------|---------|---------|---------|---------|---------|---------|---------|
| 2.5 | 40.00* | | | | | | | |
| 3.0 | 40.00* | | | | | | | |
| 3.5 | 33.70 | | | | | | | |
| 4.0 | 30.40 | 23.60 | 16.20 | 16.20 | | | | |
| 4.5 | 26.90 | 23.60 | 16.20 | 16.20 | | | | |
| 5.0 | 24.10 | 23.60 | 16.20 | 16.20 | 16.20 | 10.85 | 11.90 | |
| 6.0 | 19.90 | 19.90 | 16.20 | 15.70 | 16.20 | 10.85 | 11.90 | 10.85 |
| 7.0 | 16.80 | 16.50 | 16.20 | 13.95 | 15.15 | 10.40 | 11.90 | 10.85 |
| 8.0 | | 14.15 | 13.65 | 12.55 | 13.65 | 9.35 | 11.40 | 10.60 |
| 9.0 | | 12.35 | 11.85 | 11.40 | 11.85 | 8.40 | 10.85 | 10.10 |
| 10.0 | | 10.85 | 10.90 | 10.45 | 10.65 | 7.65 | 9.90 | 9.45 |
| 11.0 | | 9.70 | 9.30 | 9.60 | 9.50 | 7.00 | 9.05 | 8.70 |
| 12.0 | | 8.75 | 8.25 | 8.90 | 8.45 | 6.45 | 8.30 | 8.10 |
| 14.0 | | 6.70 | 6.10 | 7.10 | 6.40 | 5.60 | 6.90 | 6.90 |
| 16.0 | | | | | 5.05 | 5.00 | 5.45 | 5.65 |
| 18.0 | | | | | 4.00 | 4.35 | 4.35 | 4.45 |
| 20.0 | | | | | 3.25 | 3.90 | 3.65 | 3.70 |
| 22.0 | | | | | | | 3.00 | 3.10 |
| 24.0 | | | | | | | 2.45 | 2.55 |
| 26.0 | | | | | | | 2.05 | 2.10 |
| 27.0 | | | | | | | | 1.90 |
| ↙ % | I 0 | 50 | 100 | 0 | 100 | 0 | 100 | 100 |
| | II 0 | 50 | 0 | 100 | 100 | 100 | 100 | 100 |
| | III 0 | 0 | 0 | 0 | 0 | 100 | 80 | 100 |

TADANO FAUN

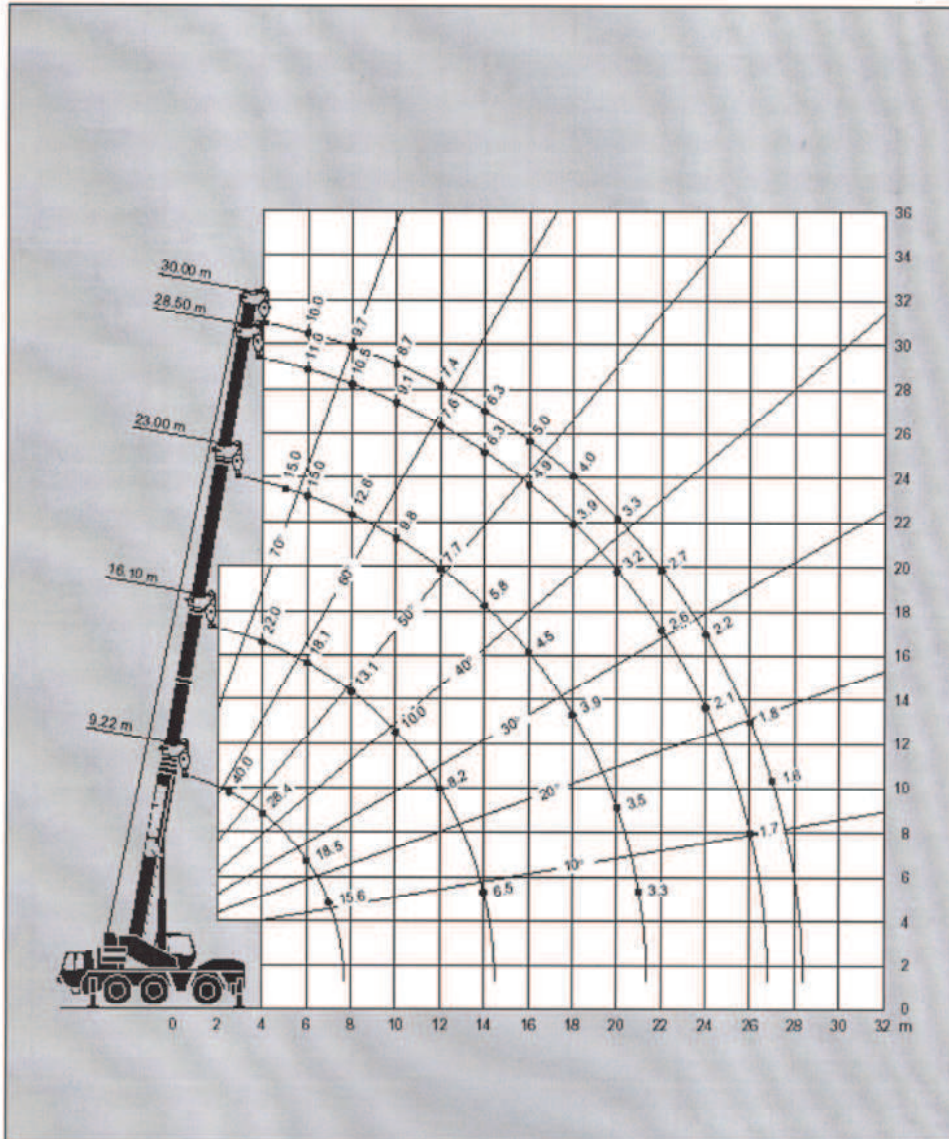
RTF 40-3

KLASSE 40T

Hubhöhen
Lifting heights
Alturas de elevación



DIN



Tragfähigkeiten an der Spitze*
 Lifting capacities on boom extension*
 Capacités de levage sur rallonge de flèche*
 Capacidades de elevación con plumin*



DIN

| m | 30.00 m + 9.05 m | | | 30.00 m + 8.70 m | | | 30.00 m + 15.45 m | | | |
|------|------------------|------|------|------------------|------|------|-------------------|------|------|--|
| | 0° | 15° | 30° | 0° | 15° | 30° | 0° | 15° | 30° | |
| 8.0 | 4.50 | | | 4.70 | | | | | | |
| 9.0 | 4.44 | | | 4.57 | | | | | | |
| 10.0 | 4.30 | 3.34 | | 4.41 | 3.42 | | 2.60 | | | |
| 11.0 | 4.17 | 3.24 | | 4.27 | 3.31 | | 2.60 | | | |
| 12.0 | 4.04 | 3.14 | 2.51 | 4.14 | 3.20 | 2.58 | 2.59 | 1.84 | | |
| 14.0 | 3.78 | 2.95 | 2.40 | 3.87 | 3.02 | 2.46 | 2.25 | 1.75 | | |
| 16.0 | 3.50 | 2.77 | 2.30 | 3.59 | 2.85 | 2.36 | 2.01 | 1.61 | 1.38 | |
| 18.0 | 3.26 | 2.62 | 2.20 | 3.32 | 2.69 | 2.27 | 1.89 | 1.47 | 1.26 | |
| 20.0 | 3.00 | 2.48 | 2.10 | 2.97 | 2.55 | 2.16 | 1.80 | 1.39 | 1.14 | |
| 22.0 | 2.70 | 2.33 | 2.00 | 2.69 | 2.39 | 2.05 | 1.67 | 1.31 | 1.07 | |
| 24.0 | 2.46 | 2.18 | 1.91 | 2.25 | 2.23 | 1.97 | 1.53 | 1.22 | 1.02 | |
| 26.0 | 2.00 | 2.05 | 1.83 | 1.85 | 1.95 | 1.89 | 1.41 | 1.14 | 0.95 | |
| 28.0 | 1.70 | 1.83 | 1.76 | 1.50 | 1.60 | 1.65 | 1.32 | 1.08 | 0.91 | |
| 30.0 | 1.40 | 1.45 | 1.53 | 1.15 | 1.25 | 1.31 | 1.23 | 1.03 | 0.88 | |
| 32.0 | 1.10 | 1.20 | 1.22 | 0.90 | 1.00 | 1.00 | 1.05 | 0.97 | 0.84 | |
| 34.0 | 0.90 | 0.95 | 0.95 | 0.70 | 0.72 | 0.75 | 0.81 | 0.91 | 0.81 | |
| 36.0 | 0.70 | 0.70 | | 0.50 | 0.50 | | 0.61 | 0.75 | 0.78 | |
| 38.0 | | | | | | | 0.44 | 0.56 | 0.60 | |
| 40.0 | | | | | | | | 0.35 | 0.38 | |
| 42.0 | | | | | | | | | | |
| 44.0 | | | | | | | | | | |
| 0/° | I | 100 | | | 100 | | | 100 | | |
| | II | 100 | | | 100 | | | 100 | | |
| | III | 100 | | | 100 | | | 100 | | |



85%

| m | 30.00 m + 9.05 m | | | 30.00 m + 8.70 m | | | 30.00 m + 15.45 m | | | |
|------|------------------|------|------|------------------|------|------|-------------------|------|------|--|
| | 0° | 15° | 30° | 0° | 15° | 30° | 0° | 15° | 30° | |
| 8.0 | 5.00 | | | 5.20 | | | | | | |
| 9.0 | 4.90 | | | 5.10 | | | | | | |
| 10.0 | 4.80 | 3.70 | | 4.90 | 3.80 | | 3.00 | | | |
| 11.0 | 4.60 | 3.60 | | 4.80 | 3.70 | | 3.00 | | | |
| 12.0 | 4.50 | 3.50 | 2.90 | 4.60 | 3.60 | 2.90 | 2.90 | 2.20 | | |
| 14.0 | 4.20 | 3.30 | 2.70 | 4.30 | 3.40 | 2.80 | 2.60 | 2.10 | | |
| 16.0 | 3.90 | 3.10 | 2.60 | 4.00 | 3.20 | 2.70 | 2.30 | 1.90 | 1.70 | |
| 18.0 | 3.70 | 3.00 | 2.50 | 3.70 | 3.10 | 2.60 | 2.20 | 1.80 | 1.60 | |
| 20.0 | 3.40 | 2.80 | 2.40 | 3.40 | 2.90 | 2.50 | 2.10 | 1.70 | 1.40 | |
| 22.0 | 3.10 | 2.70 | 2.30 | 3.10 | 2.70 | 2.40 | 2.00 | 1.60 | 1.40 | |
| 24.0 | 2.80 | 2.50 | 2.20 | 2.60 | 2.60 | 2.30 | 1.80 | 1.50 | 1.30 | |
| 26.0 | 2.35 | 2.40 | 2.10 | 2.20 | 2.30 | 2.20 | 1.70 | 1.40 | 1.20 | |
| 28.0 | 2.00 | 2.15 | 2.10 | 1.80 | 1.90 | 2.00 | 1.60 | 1.40 | 1.20 | |
| 30.0 | 1.70 | 1.75 | 1.85 | 1.50 | 1.60 | 1.60 | 1.50 | 1.30 | 1.10 | |
| 32.0 | 1.35 | 1.50 | 1.50 | 1.20 | 1.30 | 1.30 | 1.30 | 1.20 | 1.10 | |
| 34.0 | 1.15 | 1.20 | 1.20 | 1.00 | 1.00 | 1.00 | 1.10 | 1.20 | 1.10 | |
| 36.0 | 0.95 | 0.95 | | 0.70 | 0.80 | | 0.90 | 1.00 | 1.00 | |
| 38.0 | | | | | | | 0.70 | 0.80 | 0.80 | |
| 40.0 | | | | | | | | 0.60 | 0.60 | |
| 42.0 | | | | | | | | | | |
| 44.0 | | | | | | | | | | |
| 0/° | I | 100 | | | 100 | | | 100 | | |
| | II | 100 | | | 100 | | | 100 | | |
| | III | 100 | | | 100 | | | 100 | | |

TADANO FAUN

RTF 40-3

KLASSE 40T

Hubhöhen
Lifting heights
Hauteurs de levage
Alturas de elevación



DIN

